

# 2MP WDR Super Starlight VF Network IR Bullet Camera

IPC2322EBR5-DUPZ-C



## Key Features

### Optics

- Super starlight illumination
- Day/night functionality
- Smart IR, up to 50m (164ft) IR distance
- Up to 120dB Optical WDR (Wide Dynamic Range)
- 2D/3D DNR (Digital Noise Reduction)

### Compression

- Ultra 265, H.265, H.264, MJPEG
- Triple streams
- ROI (Region of Interest)
- 9:16 corridor mode
- Customized OSD

### Network

- ONVIF Conformance

### Structure

- Support PoE power supply
- Wide temperature range: -35°C ~ 60°C (-31°F ~ 140°F)

Wide voltage range of  $\pm 25\%$

IP67

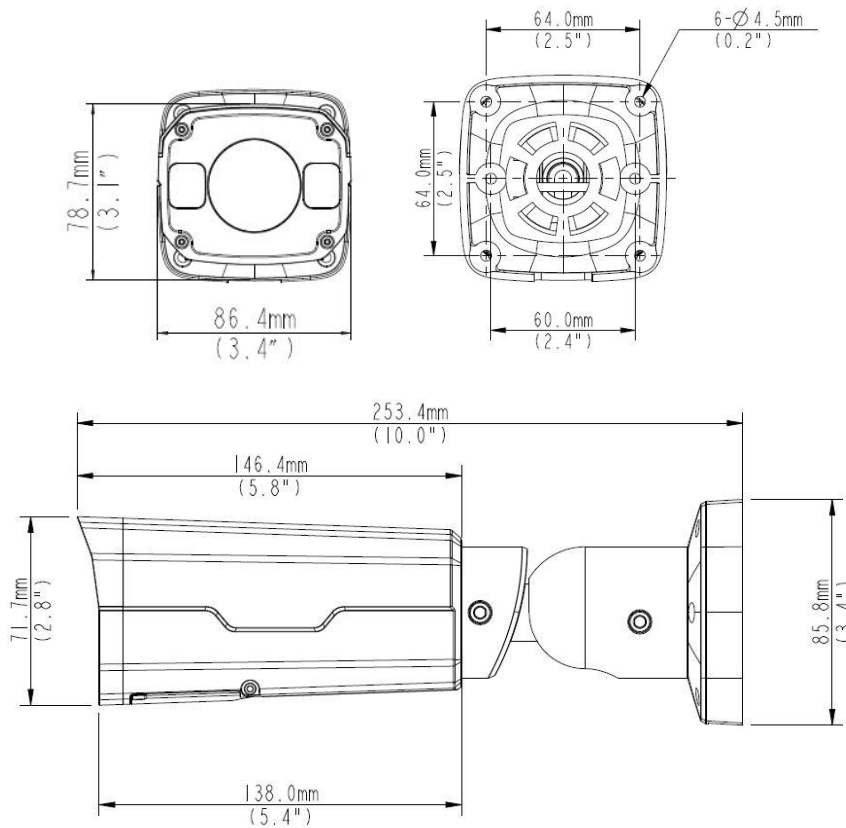
3-Axis

## Specifications

IPC2322EBR5-DUPZ-C	
<b>Camera</b>	
Sensor	1/2.8", 2.0megapixel, progressive scan, CMOS
Lens	2.7 ~ 13.5mm, AF automatic focusing and motorized zoom lens
Angle of View (H)	121.36° ~ 33.51° (H)
Shutter	Auto/Manual, shutter time: 1 ~ 1/100000s
Minimum Illumination	Colour: 0.0005Lux (F1.2, AGC ON) 0Lux with IR on
Day/Night	IR-cut filter with auto switch (ICR)
Digital noise reduction	2D/3D DNR
S/N	>52 dB
IR Range	Up to 50m (164ft) IR range
Defog	Digital Defog
WDR	120dB
<b>Video</b>	
Video Compression	Ultra 265, H.265, H.264, MJPEG
H.264 code profile	Baseline profile, Main Profile, High Profile
Frame Rate	Main Stream: 2MP (1920*1080), Max 30fps; Sub Stream: 2MP (1920*1080), Max 30fps; Third Stream: D1 (720*576), Max 30fps
9:16 Corridor Mode	Supported
HLC	Supported
BLC	Supported
OSD	Up to 8 OSDs
Privacy Mask	Up to 8 areas
ROI	Up to 8 areas
Motion Detection	Up to 4 areas
<b>Audio</b>	
Audio Compression	G.711
Two-way audio	Supported
Suppression	Supported
Sampling Rate	8KHZ
<b>Storage</b>	
Edge Storage	Micro SD, up to 256GB
Network Storage	ANR
<b>Network</b>	
Protocols	IPv4, IGMP, ICMP, ARP, TCP, UDP, DHCP, PPPoE, RTP, RTSP, RTCP, DNS, DDNS, NTP, FTP, UPnP, HTTP, HTTPS, SMTP, 802.1x, SNMP, QoS
Compatible Integration	ONVIF (Profile S, Profile G, Profile T), API

Interface	
Audio I/O	Input: impedance 35kΩ; amplitude 2V [p-p]
	Output: impedance 600Ω; amplitude 2V [p-p]
Alarm I/O	1/1
Network	1 RJ45 10M/100M Base-TX Ethernet
General	
Power	DC 12V±25%, PoE (IEEE 802.3af)
	Power consumption: Max 10W
Dimensions (L × W × H)	253.4 × 86 × 71.7mm (9.98" × 3.4" × 2.8")
Weight	1.0kg (2.2lb)
Working Environment	-35°C ~ 60°C (-31°F ~ 140°F), Humidity: ≤95% RH (non-condensing)
Ingress Protection	IP67

## Dimensions



### Zhejiang Uniview Technologies Co., Ltd.

Building No.10, Wanlun Science Park, Jiangling Road 88, Binjiang District, Hangzhou, Zhejiang, China (310051)

Email: [overseasbusiness@uniview.com](mailto:overseasbusiness@uniview.com); [globalsupport@uniview.com](mailto:globalsupport@uniview.com)

<http://www.uniview.com>

©2019 Zhejiang Uniview Technologies Co., Ltd. All rights reserved.

\*Product specifications and availability are subject to change without notice.